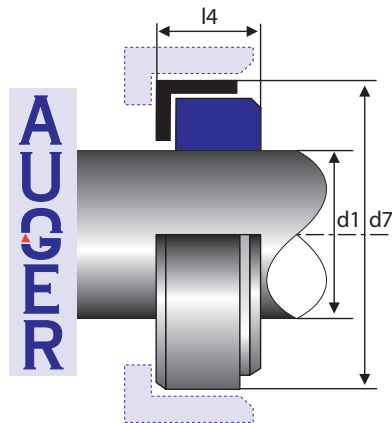
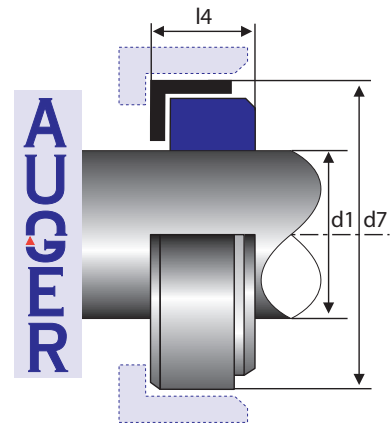


▶ OVERZICHT SEATS

AG-AS CUP



AGARB-CUP



| d1 | d7 | l4 |
|-----|------|------|
| 8 | 22 | 4,0 |
| 8B | 26 | 5,5 |
| 10 | 26 | 8 |
| 11 | 26 | 5,5 |
| 11A | 26 | 8,0 |
| 12 | 26 | 5,5 |
| 12A | 26 | 8,0 |
| 12B | 29,5 | 8,0 |
| 13 | 26 | 5,5 |
| 13 | 26 | 8,0 |
| 14 | 29,5 | 8,0 |
| 14A | 38 | 8,0 |
| 15 | 29,5 | 8,0 |
| 15A | 38 | 8,0 |
| 15B | 29,5 | 8,0 |
| 15C | 38 | 8,0 |
| 16 | 29,5 | 8,0 |
| 16 | 38 | 8,0 |
| 16 | 42 | 8,0 |
| 17 | 42 | 8,0 |
| 18 | 42 | 8,0 |
| 19 | 42,0 | 8,0 |
| 20 | 42 | 8,0 |
| 20A | 45,0 | 10,0 |
| 22 | 45,0 | 10,0 |
| 24 | 50,0 | 10,0 |
| 25 | 50,0 | 10,0 |
| 28 | 57,0 | 10,0 |
| 30 | 57 | 10,0 |
| 32 | 57 | 10,0 |
| 35 | 63 | 10,0 |
| 38 | 68 | 12,0 |
| 40 | 68 | 12,0 |
| 45 | 73 | 12,0 |
| 50 | 88 | 15,0 |
| 55 | 88 | 15,0 |
| 60 | 110 | 15,0 |
| 65 | 110 | 15,0 |
| 70 | 110 | 15,0 |

| d1 | d7 | l4 |
|----|--------|-------|
| 10 | 21,00 | 8,60 |
| 12 | 23,00 | 8,60 |
| 14 | 25,00 | 8,60 |
| 15 | | |
| 16 | 27,00 | 8,60 |
| 18 | 33,00 | 10,00 |
| 20 | 35,00 | 10,00 |
| 22 | 37,00 | 10,00 |
| 24 | 39,00 | 10,00 |
| 25 | 40,00 | 10,00 |
| 28 | 43,00 | 10,00 |
| 30 | 45,00 | 10,00 |
| 32 | 48,00 | 10,00 |
| 33 | 48,00 | 10,00 |
| 35 | 50,00 | 10,00 |
| 38 | 56,00 | 11,00 |
| 40 | 58,00 | 11,00 |
| 43 | 61,00 | 11,00 |
| 45 | 63,00 | 11,00 |
| 48 | 66,00 | 11,00 |
| 50 | 70,00 | 13,00 |
| 53 | 73,00 | 13,00 |
| 55 | 75,00 | 13,00 |
| 58 | 78,00 | 13,00 |
| 60 | 80,00 | 13,00 |
| 63 | 83,00 | 13,00 |
| 65 | 85,00 | 13,00 |
| 68 | 90,00 | 15,30 |
| 70 | 92,00 | 15,30 |
| 75 | 97,00 | 15,30 |
| 80 | 105,00 | 15,70 |

AUGER_{N.V.}

Kemelbeekstraat 30 - 2460 TIELEN - Belgium

T +32 (0)14 86 03 55 E info@auger.be W www.auger.be